

# G2G Mini 7500K

## Channel Letter Solutions

### Specifications

<b>Viewing Angle</b>	160° Optics
<b>Input Voltage</b>	12VDC
<b>Module Watts</b>	0.5W/Mod
<b>Foot Watts</b>	2W/ft
<b>Colors</b>	7500k (Pure White)
<b>Modules/Foot</b>	4mods/ft
<b>Lumens</b>	81.2lm, 324.8lm/ft, 162.4lm/W
<b>protection Grade</b>	IP67
<b>Packaging</b>	20pcs/chain, 80pcs/bag 800pcs/case
<b>Warranty</b>	5 Year (Product) / 1 Year (Labor)
<b>Operating Temp.</b>	-40° ~ +60 °C / -40° ~ +140 °F
<b>Storage Temp.</b>	-40° ~ +70 °C / -40° ~ +158 °F



**cUL<sup>®</sup>us IP67**  
E344189



6-Year Warranty



12VDC



L80 rating of  
50,000 hours



3M Tape

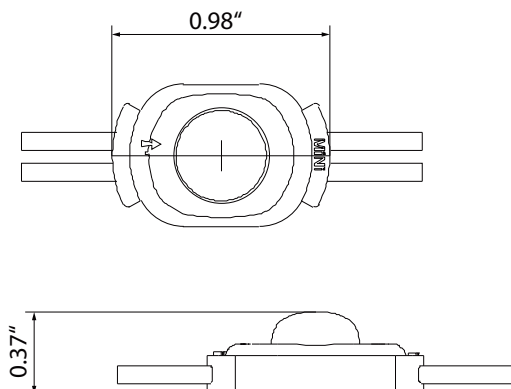


UV Resistant

### Benefits

- Designed for Small and shallow Channel letters.
- UV and IR Protected.
- 3M double face tape.

### Drawings



(Unit: inch)