



# Tetra<sup>®</sup> Snap SS

CABINET AND CHANNEL LETTER SIGN LIGHTING SYSTEMS

For those who don't have time  
to screw around

**Tetra<sup>®</sup>Snap SS** — your shop's new MVP. Our most flexible product ever, Snap SS is a single-sided module that not only clips onto a screwless aluminum extrusion, allowing module spacing and brightness levels to be customized on-the-fly, but can also be used in large channel letters. Meet the product that replaces sticks and modules alike. Meet **Tetra<sup>®</sup>Snap SS**.

## Oh snap!

Tetra® Snap SS modules pump out 200 lumens each, and can either be installed at three different spacings on our rail, for a maximum 500 lumens per foot, or in large channel letters. Beat that.

## Load 'em up

Load 66 Tetra® Snap modules per 100W power supply, enough to light a single 64" x 160" sign.

## Your shop's MVP

With the flexibility to be placed closer to the sign face, Tetra Snap SS can be used in your deepest, most challenging cabinets. It can also be used in channel letters up to 12" deep.

You may be wondering what the catch is. But it only gets better. Here's how to install Snap:

- Step 1: Snap modules into extrusion.
- Step 2: Install extrusion into sign.
- Step 3: Plug in. Enjoy results.

No catch. **Tetra® Snap.**



## Tetra® Snap SS Features

- Wide 170° beam angle
- Efficacy: 153 lm/W
- 24 Volt DC, Class 2 (UL), Class III (IEC)
- UL Wet Rated & IP66
- 10-year limited warranty

## Spacing Guidelines

	Depth	Max stroke
Double sided	5" (127 mm)	13" (330 mm)
	6" (152 mm)	16" (406 mm)
	7" (178 mm)	18" (457 mm)
	8" (203 mm)	20" (508 mm)

## Module Dimensions

Length	Width	Height
3.35" (85 mm)	1.69" (43 mm)	0.52" (13 mm)

# Brightness Chart

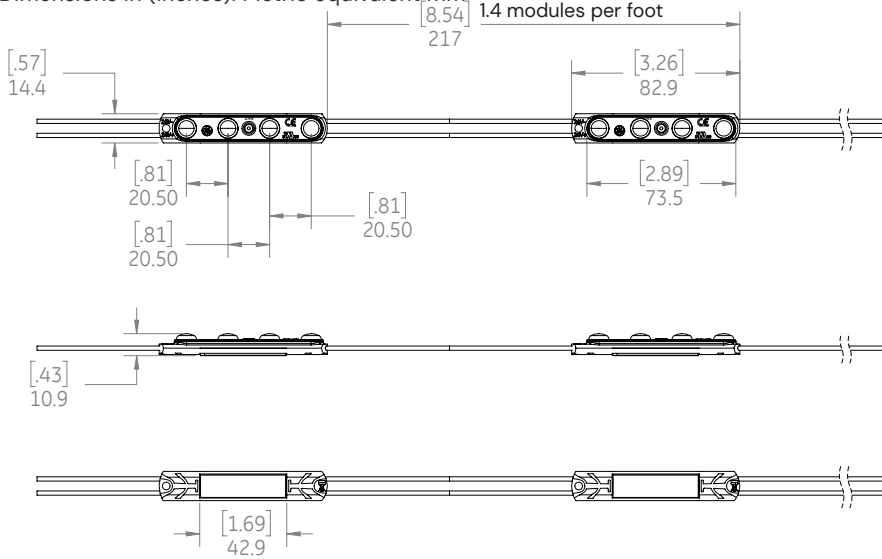
Our Brightness Chart provides a clear explanation of the light levels you can achieve using the same Tetra Snap modules and rail, as well as your customer’s predicted\* happiness levels.

\* Happiness levels estimated by our proprietary artificial intelligence algorithm  
 † Marketing manager

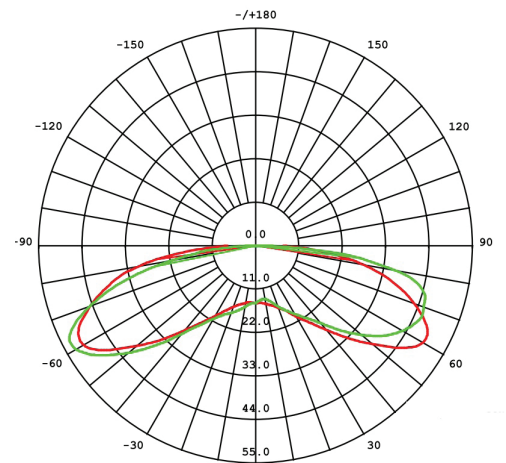
Brightness level	Lumens per foot	Your inventory level	Your customer's happiness
Regular output	300	Low	☺
High output	375	Still low	☺ ☺
Ludicrous mode	500	Yup, still low	☺ ☺ ☺

## Mechanical Outline

Dimensions in (inches). Metric equivalent in mm.

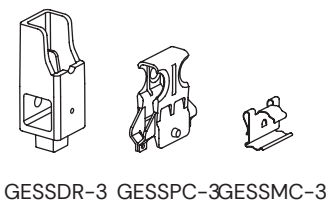
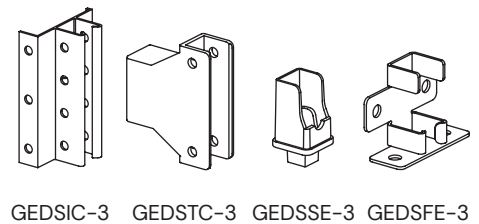


## Viewing Angle



## Accessories

SKU	Model number	Description	Package Quantity
93136587	GESSPC-3	Plastic clip for single-sided Snap module	256
93136588	GESSMC-3	Metal clip for single-sided Snap module	256
93130907	GEDSIC-3	Interconnector (to join two sections of rail)	20
93130908	GEDSTC-3	T-connector (to install perpendicular rails in a grid pattern)	20
93130909	GEDSFE-3	Frame endcap (for mounting directly to sign structures)	40
93130910	GEDSSE-3	Socket endcap (for mounting in existing sockets)	40
93138680	GESSDR-3	Dual rail socket endcap	40
93128550	GEDSRL08-3	8 ft. rail	20



# Components

SKU	Model	Details	Color	Order unit	Strip Quantity	Box Quantity
93136551	GEPMH2471-WIX	Tetra® Snap SS 24V 7100K	White	Box	64 modules per strip, 1 strip/bag	4 bags (256 modules) per box
93136552	GEPMH2465-WIX	Tetra® Snap SS 24V 6500K	Warm White	Box	64 modules per strip, 1 strip/bag	4 bags (256 modules) per box
93136553	GEPMH2457-WIX	Tetra® Snap SS 24V 5700K	Warm White	Box	64 modules per strip, 1 strip/bag	4 bags (256 modules) per box
93136554	GEPMH2450-WIX	Tetra® Snap SS 24V 5000K	Warm White	Box	64 modules per strip, 1 strip/bag	4 bags (256 modules) per box
93136555	GEPMH2441-WIX	Tetra® Snap SS 24V 4100K	Warm White	Box	64 modules per strip, 1 strip/bag	4 bags (256 modules) per box
93136586	GEPMH2432-WIX	Tetra® Snap SS 24V 3200K	Warm White	Box	64 modules per strip, 1 strip/bag	4 bags (256 modules) per box

## Technical Specifications

Model	Wavelength/CCT	Typical Brightness Lumens/module	Typical Module Brightness (No Rail) (Lumens/foot)	Typical Brightness Lumens/foot	Voltage	Leds/Module	Energy Consumption Module/system (W)	Power Supply Loading	Viewing Angle
Tetra Snap SS	7100K, 6500K, 5700K, 5000K, 4100K	200	280	Regular output: 300 High output: 375 Ludicrous mode: 500	24V	4	1.3/1.9	GLX: 64 modules (45.7 ft)/ 100W PS	170°
	3200K	360	252	Regular output: 270 High output: 338 Ludicrous mode: 450				GLX2/TT: 66 modules (47.1 ft)/ 100W PS	

## Additional Specifications

<b>Dimmable</b>	Yes (with dimmable power supply)				
<b>Cutting Resolution</b>	Cut on wire between every module				
<b>Module Spacing</b>	1.4 modules/foot				
<b>Extrusion Spacing</b>	Regular output: 1.5 modules/foot High output: 1.9 modules/foot Ludicrous mode: 2.5 modules/foot				
<b>Power Supply</b>	Tetra 24V DC				
<b>Maximum Supply Wire Limits</b>		<b>18 AWG/0.82 MM<sup>2</sup> Supply Wire</b>	<b>16 AWG/1.31 MM<sup>2</sup> Supply Wire</b>	<b>14 AWG/2.08 MM<sup>2</sup> Supply Wire</b>	<b>12 AWG/3.31 MM<sup>2</sup> Supply Wire</b>
	25W Power Supply	120 ft./36.6 m	/	/	/
	80W Power Supply	20 ft./6.1 m	25 ft./7.6 m	35 ft./10.6 m	40 ft./12.1 m
	100W Power Supply	20 ft./6.1 m	25 ft./7.6 m	35 ft./10.6 m	40 ft./12.1 m
	200W Power Supply	20 ft./6.1 m	25 ft./7.6 m	35 ft./10.6 m	40 ft./12.1 m
300W Power Supply	20 ft./6.1 m	25 ft./7.6 m	35 ft./10.6 m	40 ft./12.1 m	
<b>Operating Environment</b>	-40 °C to +60 °C (-40 °F to +140 °F)				
<b>Module Dimensions (L x W x H)</b>	0.42 in x 3.26 in x 0.57 in (10.76 mm x 82.9 mm x 14.4 mm)				
<b>Warranty</b>	Limited system warranty of up to ten (10) years				
<b>System Certifications</b>	UL Recognized (c-us), UL Classified (c-us), CE, ROHS, IP66, UL Wet Rated				