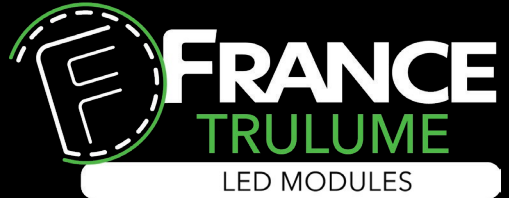


# 12v DUO



170° OPTICS

## CORE APPLICATIONS:

- CHANNEL LETTERS
  - > STANDARD | SHALLOW | WIDE
- ACCENT & COVE LIGHTING
- SHALLOW CABINET / BOX SIGNS



wensco  
800.253.1569 | wensco.com

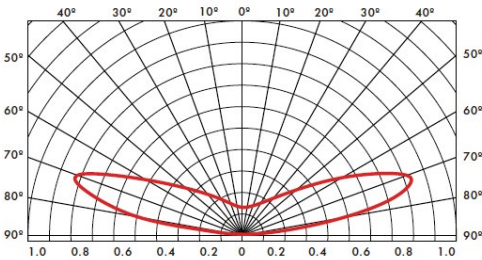
## YOUR EVERYDAY WORKHORSE

- L70 5+ years LIFESPAN**
- 7P/7L WARRANTY**
- IP67 DRY / DAMP / WET**
- 40° ~ 140° OPERATING TEMPERATURE**
- TOTAL SYSTEM \$**
- MECHANICAL FASTENING**
- EASY PEEL 3M VHB LINER**
- CCT RANGE SINGLE BIN**
- TRU CONSTANT CURRENT**

| TRULUME MODULE TYPE | PRODUCT NUMBER | TEMPS / COLORS | LUMEN PER MOD | EFFICIENCY | LUMENS PER FT | MODS PER FT | POWER PER MODS / FT   | # MODS / FT PER 60W P. S. | MAX. SERIAL CONNECTION | MODS/FT PER BAG     | BAGS PER CARTON         |
|---------------------|----------------|----------------|---------------|------------|---------------|-------------|-----------------------|---------------------------|------------------------|---------------------|-------------------------|
| 12v Duo 71K         | 19843-01       | 7100K          | 93            | 155 Lm/W   | 157           | 1.69        | 0.60 W<br>{1.0 W FT.} | 100 Mods<br>{59 FT.}      | 40 mods<br>{23 FT.}    | 80 Mods<br>{47 FT.} | 18 Bags<br>{1,440 MODS} |
| 12v Duo 5K          | 19843-02       | 5000K          | 93            | 155 Lm/W   | 157           | 1.69        |                       |                           |                        |                     |                         |
| 12v Duo 35K         | 19843-03       | 3500K          | 93            | 155 Lm/W   | 157           | 1.69        |                       |                           |                        |                     |                         |
| 12v Duo Red         | 19843-04       | 625nm          | 28            | 46 Lm/W    | 47            | 1.69        |                       |                           |                        |                     |                         |
| 12v Duo Green       | 19843-05       | 525nm          | 36            | 60 Lm/W    | 60            | 1.69        |                       |                           |                        |                     |                         |
| 12v Duo Blue        | 19843-06       | 460nm          | 14            | 23 Lm/W    | 23            | 1.69        |                       |                           |                        |                     |                         |

Note: Custom Kelvin Temperatures Available Upon Request

### LIGHT BEAM PATTERN



170° Lens

### SPACING & USAGE CHART

| CHANNEL / SIGN DEPTH           | 2"  | 3"  | 4"  | 5"  |
|--------------------------------|-----|-----|-----|-----|
| Single Row Spacing - Max Stoke | 6"* | 10" | 12" | 14" |
| Multiple Row Spacing           | 6"* | 8"  | 10" | 12" |

Note: Product and depth may vary depending on face material and desired brightness. Testing conducted using 7328 acrylic.  
\*Have to move in modules approximately a third of the distance.  
Testing for verification is needed



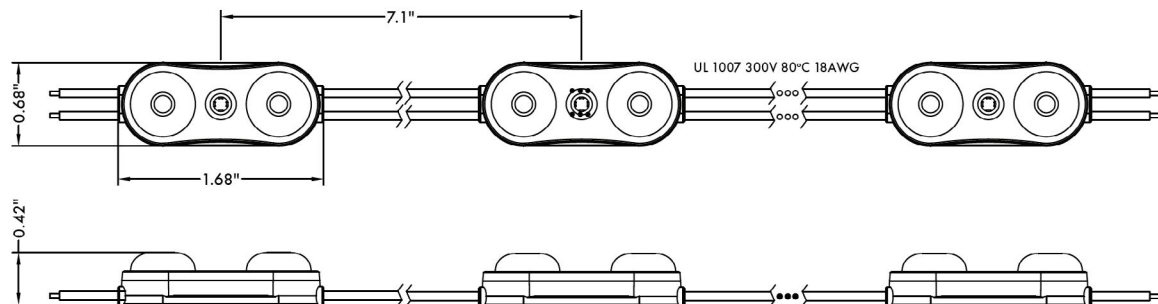
### QUICK LINKS

CLICKABLE ON PDF ONLY

WHITE MODULE SELECTION GUIDE

COLOR MODULE SELECTION GUIDE

12V DUO PRODUCT VIDEO



### FRANCE TRULUME LED MODULES NAVIGATION

12v NANO | 12v UNO | 12v DUO | 12v TRIO | 24v UNO | 24v DUO | 24v TRIO | 24v QUATTRO  
WHITE LED COMPARISON CHART | COLOR LED COMPARISON CHART