



G2G ArRay 2

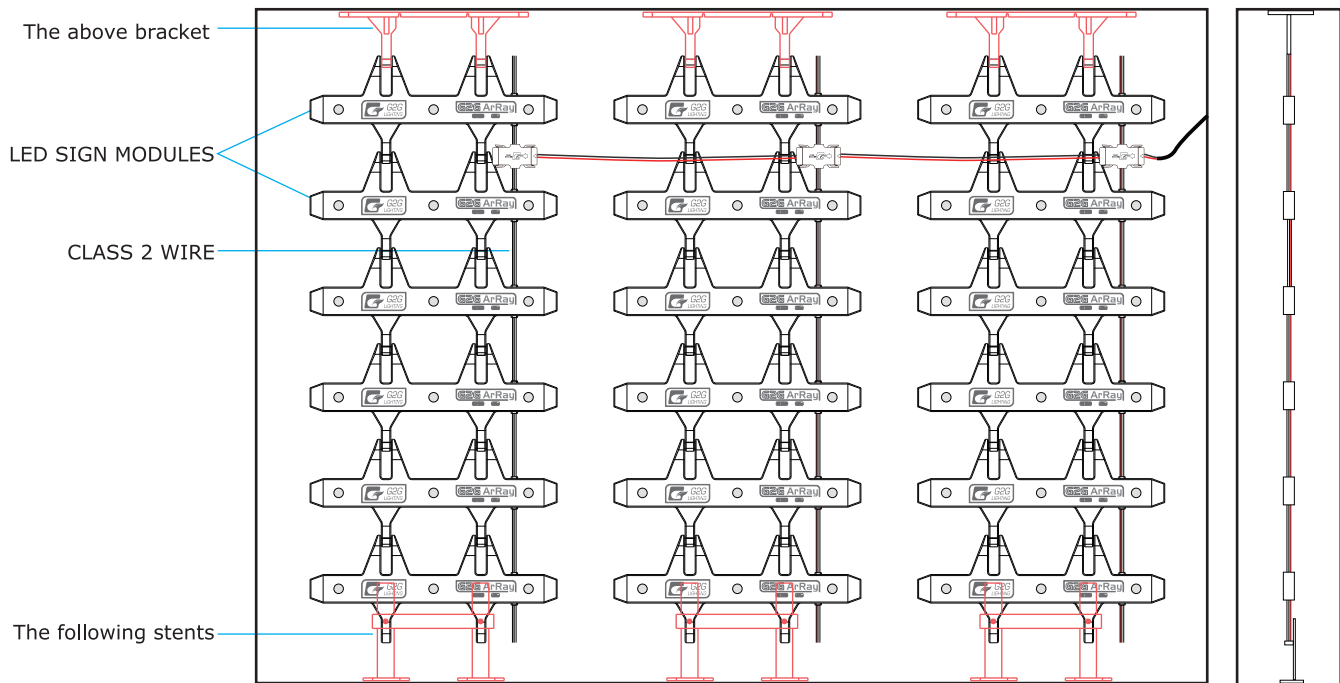
SIGN CABINET LIGHTING INSTALLATION GUIDE



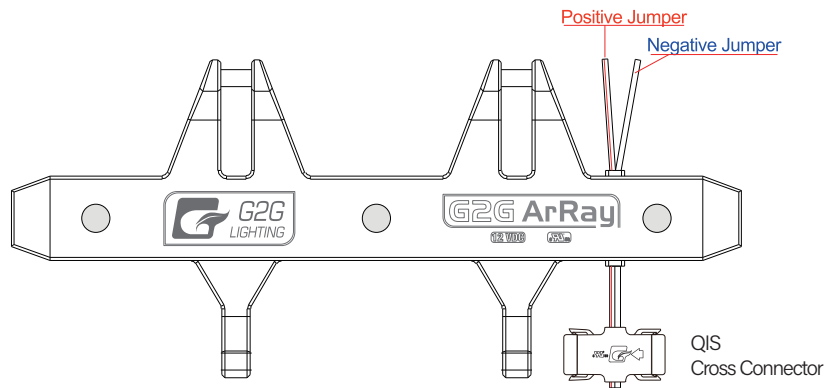
800.253.1569 | wensco.com

INSTALLATION INSTRUCTIONS

Install length of product in sign box(or sign cabinet) by fastening mounting clips with VHB tape(supplied) or mechanically through holes in the clip, or both .Add silicone for additional security if desired(see Figure 2)



Wiring and installation diagram



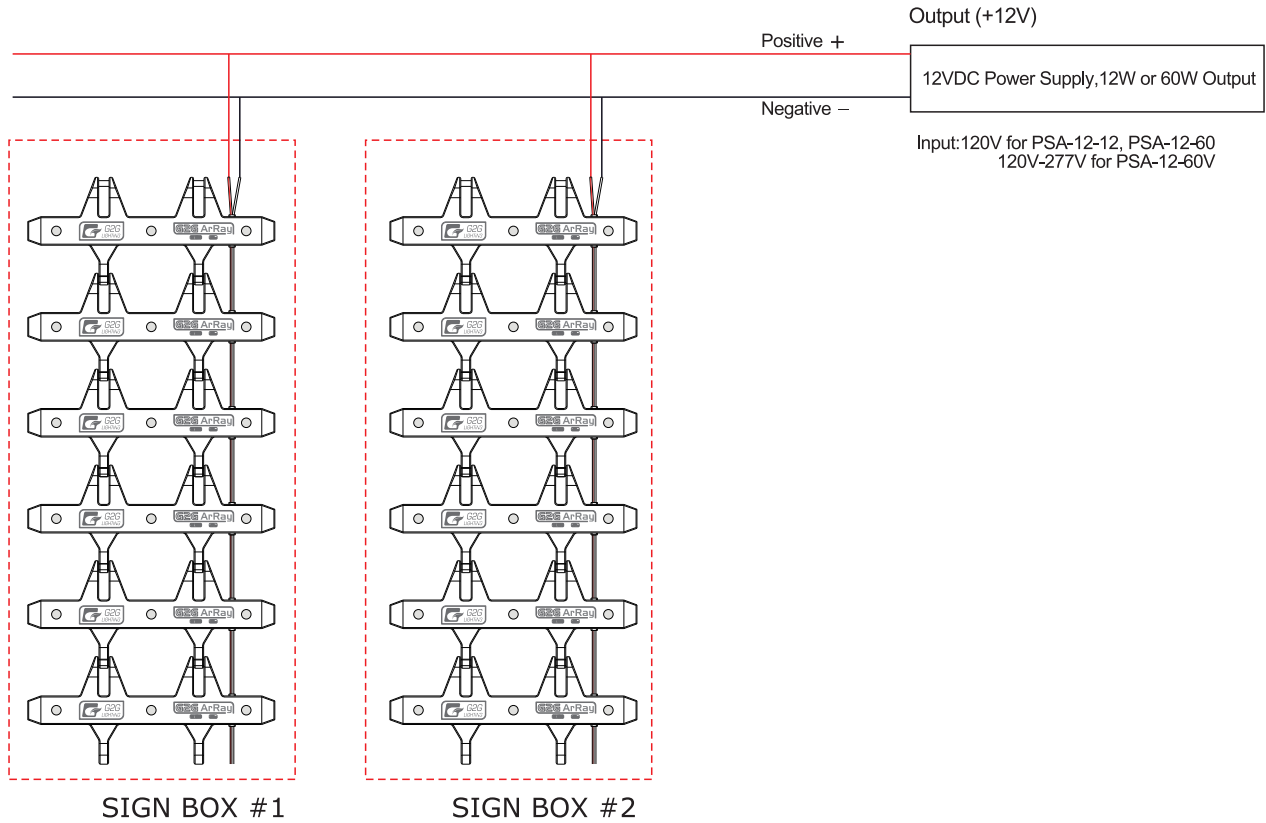
SIGN CABINET

LED LIGHTING

INSTALLATION GUIDE

Model	Input Voltage	Protection Grade	Power	Modules/Foot	Color	Lumen	Qty 60W Power Supply	Viewing Angle
ArRay 2 SF	12VDC	IP67	1W/Module	3mods/sq.ft	7000K	100lm/mod	60PCS	170°
ArRay 2 DF	12VDC	IP67	1.8W/Module	3mods/sq.ft	7000K	200lm/mod	33PCS	170°

WIRING DIAGRAM



800.253.1569 | wensco.com

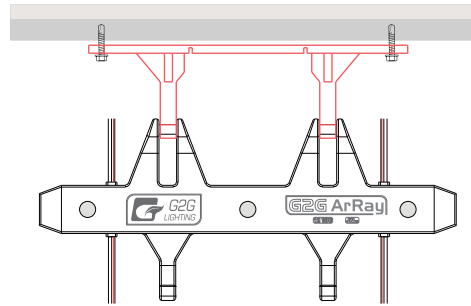
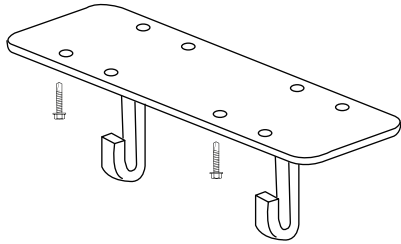
SIGN CABINET

LED LIGHTING

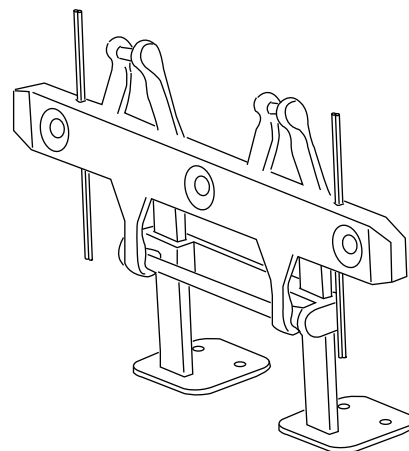
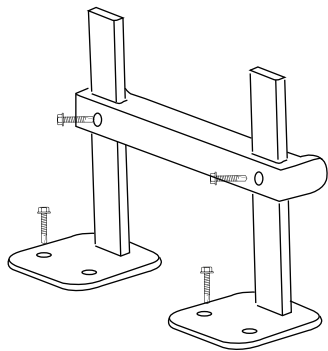
INSTALLATION GUIDE

ACCESSORIES

THE ABOVE BRACKET



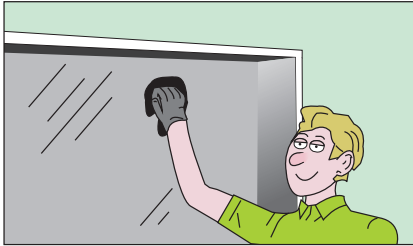
THE FOLLOWING STENTS



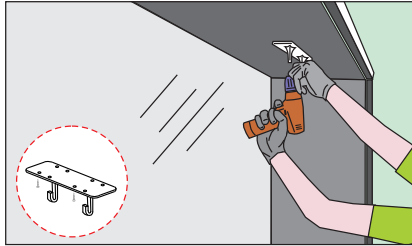
SIGN CABINET LED LIGHTING

INSTALLATION GUIDE

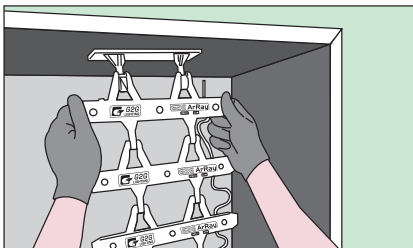
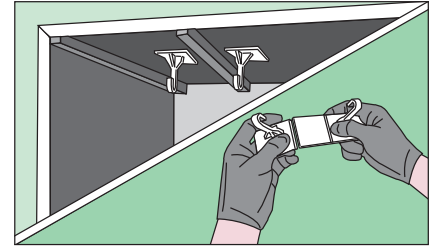
INSTALLATION STEPS



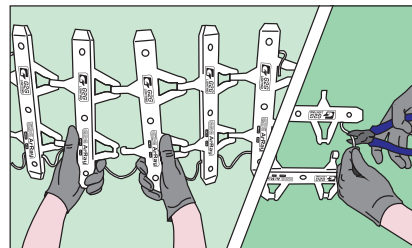
- 1 Clear sign light box cabinet of any wires, dirt or previous fixtures. Measure across to determine how many ArRay Modules across the width of the cabinet you will need



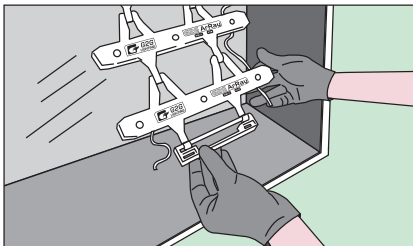
- 2 Install ArRay TOP BRACKET. Allow space around the BRACKETS. The ArRay Module Brackets are detachable, allowing for flexibility with sign box cabinet variations.



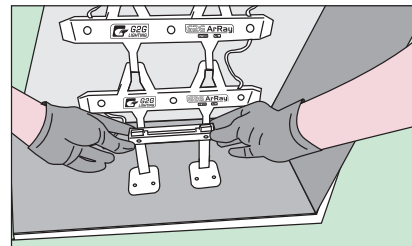
- 3 Affix the ArRay Module ensuring a snug fit on the brackets.



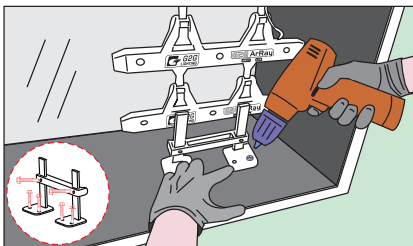
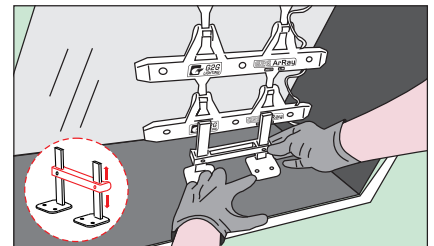
- 4 Customize the total number Modules needed. Use wire cutters to remove excess Modules and leave as much wire from the last Module (to attach later to the 12 VDC Power Supply).



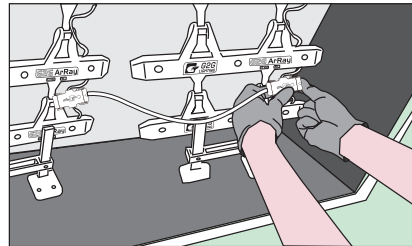
- 5 At the bottom of the sign box cabinet, affix the bottom bracket bar to the last ArRay Module.



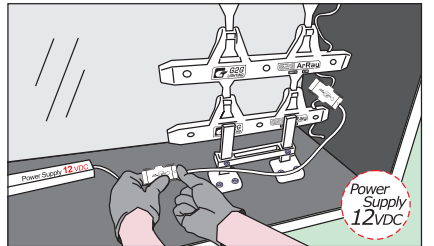
- 6 Connect the bottom bracket bar to the bottom bracket clips. Ensure the bar is fastened snugly to the module and drill the screws into the bottom bracket clips.



- 7 Affix and drill the bracket clips to the sign box cabinet to prevent the modules from shifting in the sign box cabinet.



- 8 Securely attach the wires of the final ArRay Module to the 12VDC Power Supply. Replace the cabinet cover & secure. Step back and enjoy your exceptional sign box featuring G2G Lighting ArRay Light experience!

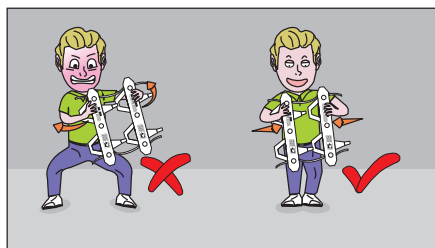


SIGN CABINET

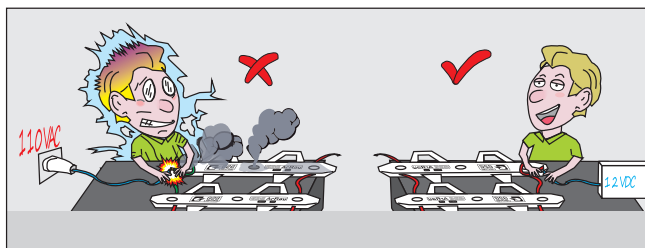
LED LIGHTING

INSTALLATION GUIDE

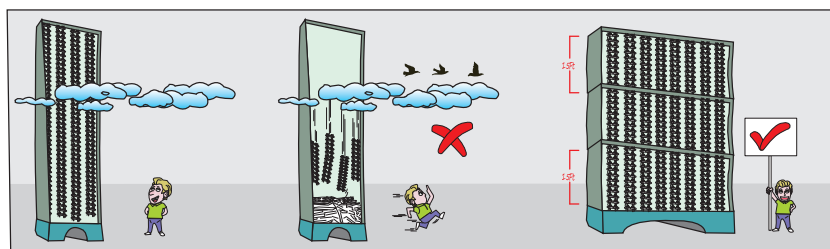
CAUTION!



DO NOT force or twist the ArRay Modules. To separate, simply manipulate the Modules inward to uncouple the Module Links and separate.



DO NOT plug in directly to a 110 VAC power supply as this will blow a fuse and damage your Modules. Damaging your modules will void the warranty. Always use the 12VDC Power Supply.



TO MAINTAIN STABILITY of the ArRay Modules in a LARGE CABINET INSTALLATION, DO NOT stack the Modules PAST 15 FEET. Add a shelf and continue with the installation.