

# G2G-QIS-60W-12VDC (V2)

## LED POWER SUPPLIES

- Input Voltage: 100-277Vac ~ 50/60Hz
- Input Current: 1.1A Max
- Output Voltage: 12VDC
- Output Current: 5A Max
- -25°C to 50°C Operating Temperature
- Packaging: 45PCS/Case

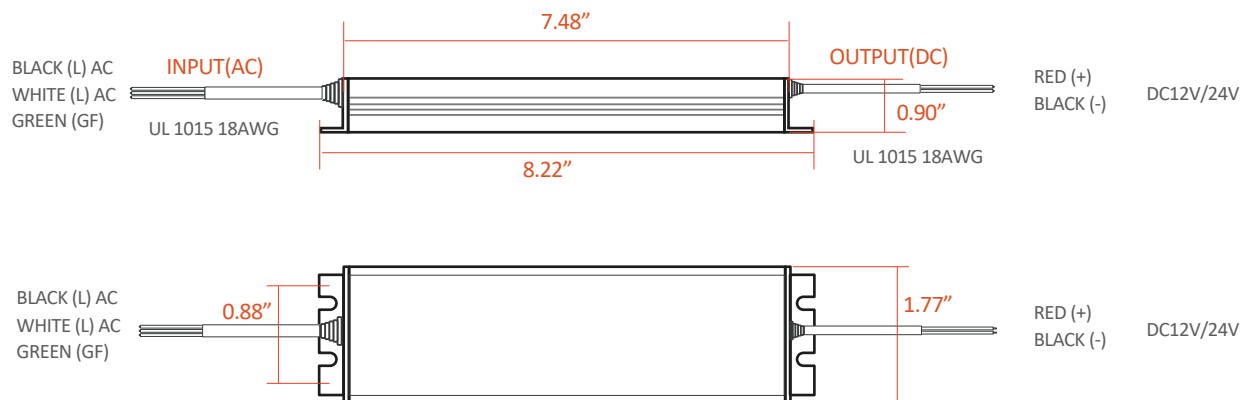


**UL US E492384 IP68**



**Class 2 Power Supply**

### Product Drawing



## Product Parameters

Output Characteristics	Rated Output Voltage		12V
	Rated Output Current		5A
	Rated Output Power		60W
	Output Voltage Accuracy		(11.5-12.5V)
	Output Ripple & Noise		≤200mV
Input Characteristics	Input Voltage Range		100VAC-277VAC
	Input Frequency Range		50~60HZ
	Input Current		≤1.1A(100-277VAC)
	Surge Current (cold start)		46A @230VAC
	Power Efficiency		85%
Protective Characteristics	Over-Current Protection		■YES □NO
	Short-Circuit Protection		■YES □NO
	Over-Voltage Protection		■YES □NO
Environmental Characteristics	Working Temperature		-25℃~+50℃
	Working Humidity		10%~95%RH
	Storage Temperature		~35℃~+65℃
	Storage Humidity		10%~95%RH
	IP Rating		IP68
	Vibration		10~500Hz, 1.0mm, 15 minutes (for X、Y、Z each axis)
Safety and EMC	Safety Standard		Design refer to UL8750、UL879、FCC、CB、CE、TUV Mark、3C、RCM、IP67、RoHS
	Dielectric Strength (Hi-Pot)	I/P-O/P	3.75KVAC/ 10mA/ 3S
		I/P-Case	1.5KVAC/ 10mA/ 3S
	Insulation Resistance		100MΩ / 500VDC/ 3S
	Grounding Resistance		≤0.5Ω
EMC		Design refer to FCC part 15classB EN55015	
Other Characteristics	MTBF		50Khrs. MIL-HDBK-217F(25℃)
	Size		8.22inX1.77inX0.90in(L*W*H)
	Weight		0.41 kg

### Remarks :

1 Test environment temperature : 25 ± 2 ℃ ;

2 Ripple and noise measurement methods: terminal to parallel 47uF electrolytic capacity and 0.1uF ceramic capacity, in 20 MHZ Bandwidth measurement.