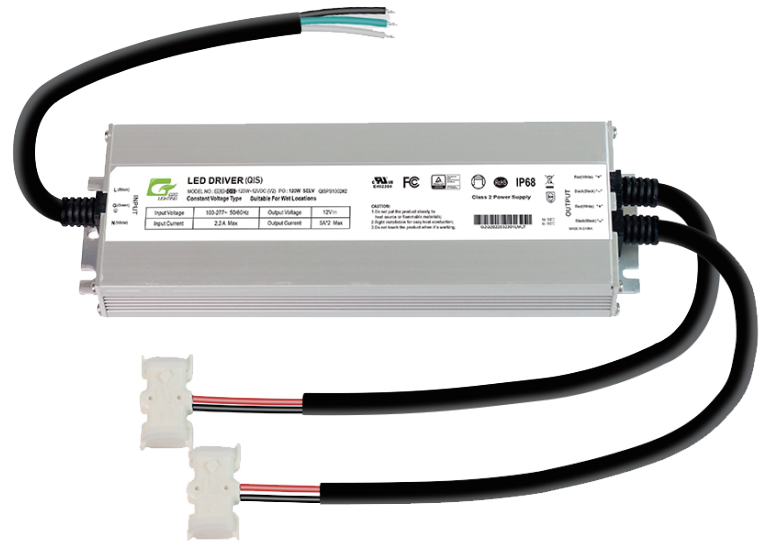


LED POWER SUPPLIES

Class 2 Power Supply

G2G-QIS-120W-12VDC (V2)

- Input Voltage: 100-277Vac ~ 50/60Hz
- Input Current: 2.2A Max
- Output Voltage: 12VDC
- Output Current: 5A*2 Max
- -25°C to 50°C Operating Temperature
- Packaging: 30PCS/Case

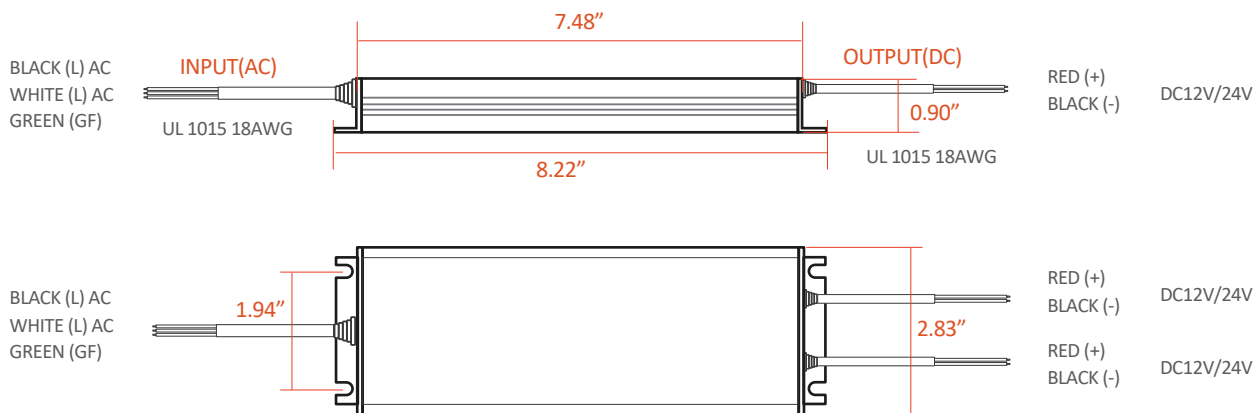


UL US E492384 IP68



Class 2 Power Supply

Product Drawing



Product Parameters

Output Characteristics	Rated Output Voltage		12V
	Rated Output Current		5A*2
	Rated Output Power		120W
	Output Voltage Accuracy		±5%(11.5-12.5V)
	Output Ripple & Noise		≤200mV
Input Characteristics	Input Voltage Range		100VAC-277VAC
	Input Frequency Range		50~60HZ
	Input Current		≤2.0A(100-277VAC)
	Surge Current (cold start)		46A @230VAC
	Power Efficiency		85%
Protective Characteristics	Over-Current Protection		■YES □NO
	Short-Circuit Protection		■YES □NO
	Over-Voltage Protection		■YES □NO
Environmental Characteristics	Working Temperature		-25℃~+50℃
	Working Humidity		10%~95%RH
	Storage Temperature		~35℃~+65℃
	Storage Humidity		10%~95%RH
	IP Rating		IP67
	Vibration		10~500Hz, 1.0mm, 15 minutes (for X、Y、Z each axis)
Safety and EMC	Safety Standard		Design refer to UL8750、UL879、FCC、CB、CE、TUV Mark、3C、RCM、IP67、RoHS
	Dielectric Strength (Hi-Pot)	I/P-O/P	3.75KVAC/ 10mA/ 3S
		I/P-Case	1.5KVAC/ 10mA/ 3S
	Insulation Resistance		100MΩ / 500VDC/ 3S
	Grounding Resistance		≤0.5Ω
	EMC		Design refer to FCC part 15classB EN55015
Other Characteristics	MTBF		50Khrs. MIL-HDBK-217F(25℃)
	Size		8.22inX2.83inX0.90in(L*W*H)
	Weight		0.70 kg

Remarks:

1 Test environment temperature : 25 ± 2 ℃ ;

2 Ripple and noise measurement methods: terminal to parallel 47uF electrolytic capacity and 0.1uF ceramic capacity, in 20 MHZ Bandwidth measurement.